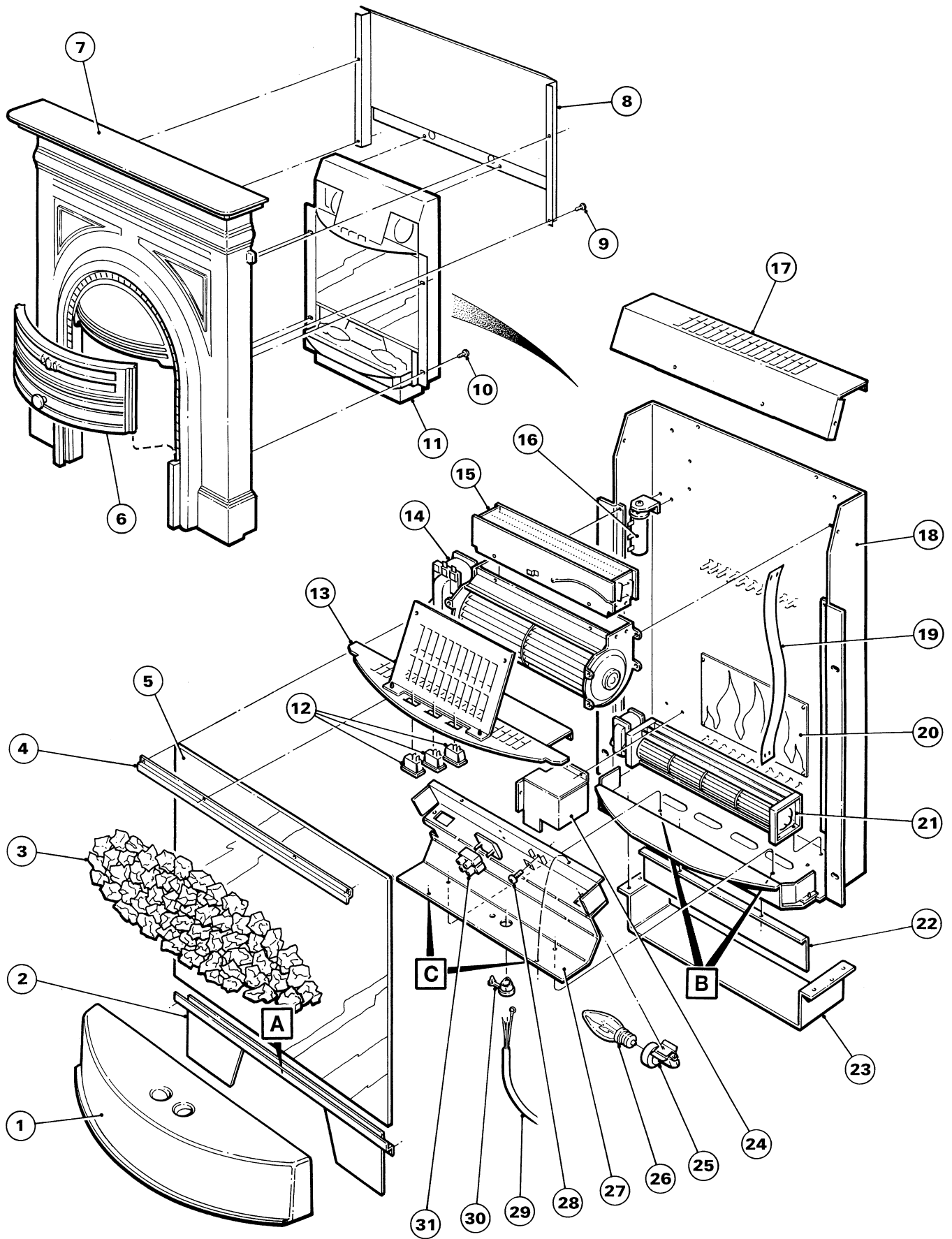


BURLINGTON SUITE BLN12



BURLINGTON SUITE BLN12

PARTS LIST**BURLINGTON BLN12**

ITEM	CAT NO	WATTS	VOLTS	DESCRIPTION	COLOUR	MODEL
1	FP05039			FUEL EFFECT		
3	FP9670			COAL PACK		
5	FP05038			GLASS		
6 & 7	FP05040			SURROUND ASSY		
12	FP04021			SWITCH		
14	FP03029			HEAT BLOWER MOTOR		
15	FP05037	1200		ELEMENT ASSY		
16	FB9005			FAN SPEED RESISTOR		
17	FP05041			SHELF SPACER		
19	FP01003			CLOTH FLAGS		
20	FP00011			REFLECTOR		
21	FP00003			EFFECT BLOWER MOTOR		
25	FP9609			LAMPHOLDER		
26	FP03022	60		LAMPS		

SERVICING AND DISMANTLING INSTRUCTIONS

ENSURE APPLIANCE IS DISCONNECTED FROM THE ELECTRICITY SUPPLY BEFORE DISMANTLING.
NOTE ALL CONNECTION DETAILS AND ROUTING OF LEADS BEFORE DISMANTLING.
ALWAYS REPLACE CABLE TIES ON RE-ASSEMBLY.

Numbers appearing in the text refer to those in the Illustrated parts list. Letters refer to locations.

CHAPTER 1. LAMP REPLACEMENT/FUEL EFFECT.

- 1.1. Remove Coals 3.
- 1.2. Remove Grate 6 by sliding it up and out of locating channels in Surround 7.
- 1.3. Remove Fuel bed 1 by lifting it up and out of retaining Channel 2 in pos'n 'A'.
- 1.4. Unscrew defective Lamp 26 and replace with a 240V 60W E14 SES Clear candle Lamp.
- 1.5. Re-assemble in reverse order ensuring that rear of Fuel bed 1 locates properly into Channel 2 in pos'n 'A'.

CHAPTER 2. MAINS CABLE.

- 2.1. Carry out procedures 1.1. 1.2. and 1.3. in CHAPTER 1 and remove both Lamps 26 for safety.
- 2.2. Remove two screws securing Lampholder/Terminal box 27 to bottom of Chassis 18 in pos'n 'B'.
- 2.3. Remove two screws in pos'n 'C' and open out box to expose Mains terminal connections.
- 2.4. Disconnect the Live and Neutral leads from Terminal block 31 and Earth lead from Earth screw 28.
- 2.5. Release Cable clamp 30 using pliers to squeeze barbs on anti-rotation arm and the locking tab.
- 2.6. Withdraw Cable 29 from Clamp 30 and replace with new cable.
- 2.7. Re-assemble in reverse order.

CHAPTER 3. FLAME EFFECT.

- 3.1. Remove Coals 3.
- 3.2. Remove complete suite (Fire & surround) from wall and place in a stable upright pos'n with access to the rear.
- 3.3. Remove Rear top panel 8 secured by four Machine screws 9 to surround and two self-tapping screws to top of Fire 11.
- 3.4. Remove four Machine screws 10 and separate Fire 11 from Surround 7.
- 3.5. Lay fire on its back on a soft surface and remove Fuel bed 1 by lifting its rear edge out of Channel 2 in pos'n 'A'.
- 3.6. Remove Lamps 26 for safety and ease of access.
- 3.7. Remove Channel 2 secured by two screws.
- 3.8. Slide Mirrored glass 5 out of Top retaining channel 4 and lay it down carefully on a soft surface, noting orientation.
- 3.9. Cloth flags 19 hook onto supports top and bottom, ensure they all hang freely.
NOTE: Observe other flags in situ and attach likewise.
- 3.10. Remove Bottom support bkt 23 secured by six screws.
- 3.11. Remove Lampholder/Terminal box 27 secured by two screws in pos'n 'B'.
- 3.12. Remove two screws in pos'n 'C' and open out box.
- 3.13. Lampholders 25 are secured by one screw each.
- 3.14. Remove four screws from underneath Chassis 18 securing Blower unit 21.
- 3.15. Remove one screw securing Motor guard 24 from L.H. side of Chassis 18.
- 3.16. Stand Chassis 18 upright, and from the rear, remove two screws securing Motor guard 24.
- 3.17. Remove Blower unit 21.
NOTE: Observe pos'n of push-on terminals before disconnecting.
- 3.18. Reflector 20 is secured by four pop rivets. Drill out rivets and on re-assembly replace with M3.2 – 6.5mm size rivets.

CHAPTER 4. FAN HEATER & CONTROLS.

- 4.1. Follow procedures 3.1. 3.2. 3.3. and 3.4. in CHAPTER 3.
- 4.2. With Fire 11 in upright pos'n, remove Top grille 17 secured by one screw to each side of Chassis 18, two screws from the rear and two screws to Front grille assy 13.
- 4.3. Remove Element/Blower unit 15/14 secured by four screws from rear of Chassis 18.
- 4.4. Element 15, complete with Thermal cut-out, is secured to Blower 14 by four screws.
- 4.5. Switches 12 are a push fit into Front grille assy. 13. To remove, compress clip at each end of Switch body and withdraw downwards.
- 4.6. Resistor 16 and attached bkt. are secured by two screws from the rear of Chassis 18.
- 4.7. Re-assemble in reverse order.

AFTER SERVICING, IT IS RECOMMENDED THAT THE PRODUCT IS TESTED FOR INSULATION AND EARTH CONTINUITY, IN ACCORDANCE WITH RELEVANT LOCAL SAFETY REGULATIONS.